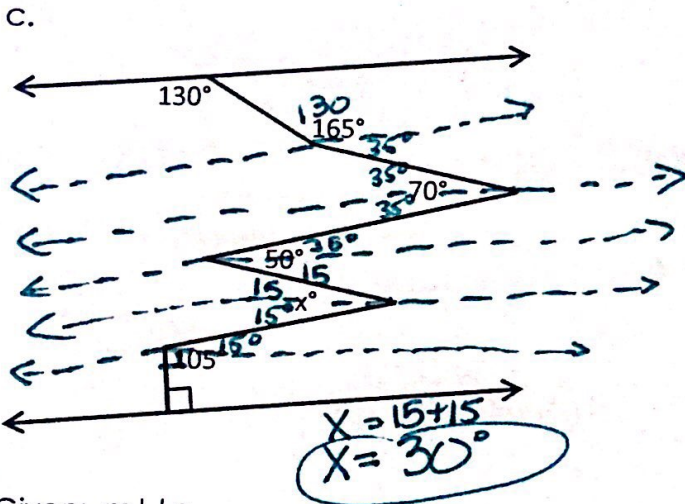
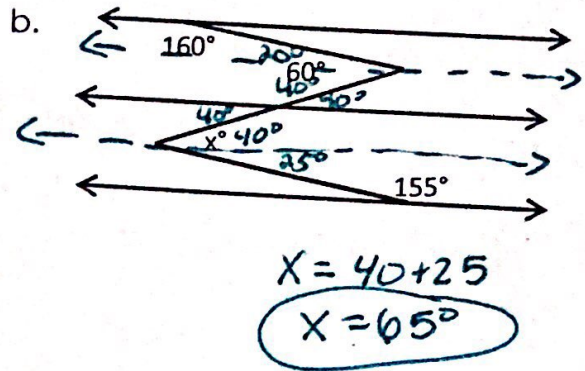
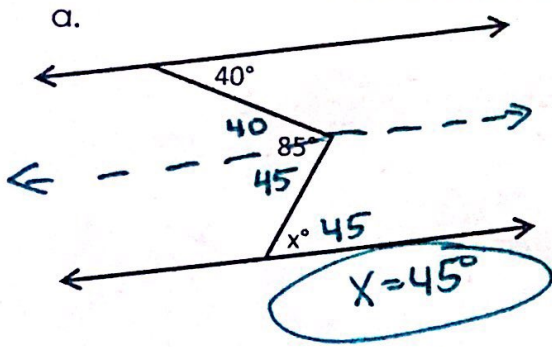


3.2 More Practice

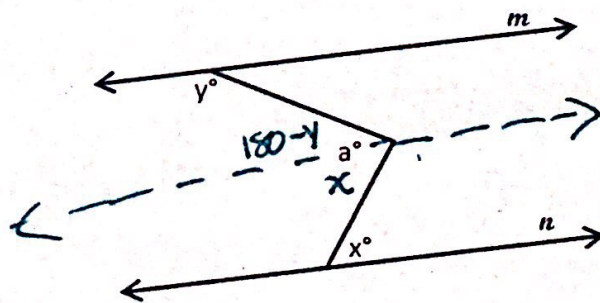
Name: Answer key

1. Find the value of the variable if the lines that appear parallel are parallel.



2. Given: $m \parallel n$

- a. Solve for a in terms of x and y .
b. If $a > 90^\circ$, what must be true of $y - x$?



a. $a = 180 - y + x$

b. $y - x$ must be positive
* y is greater than x